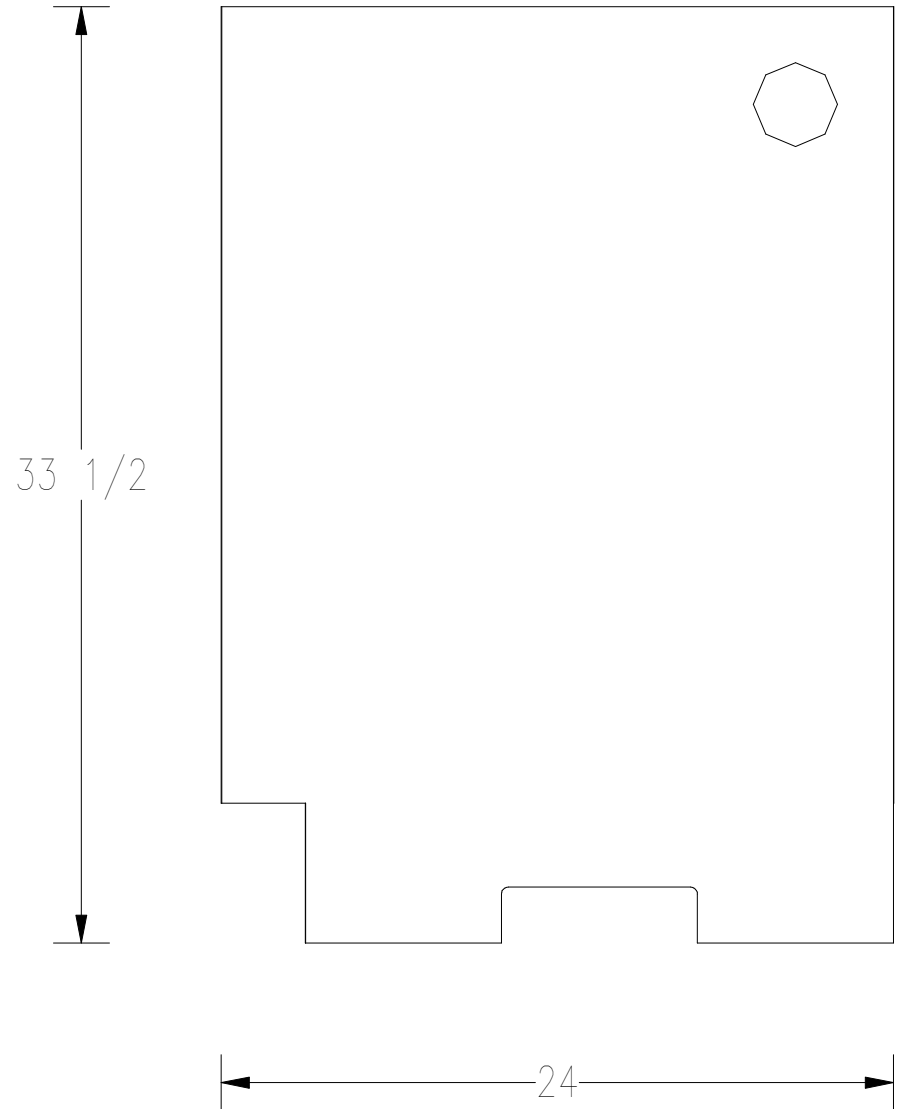
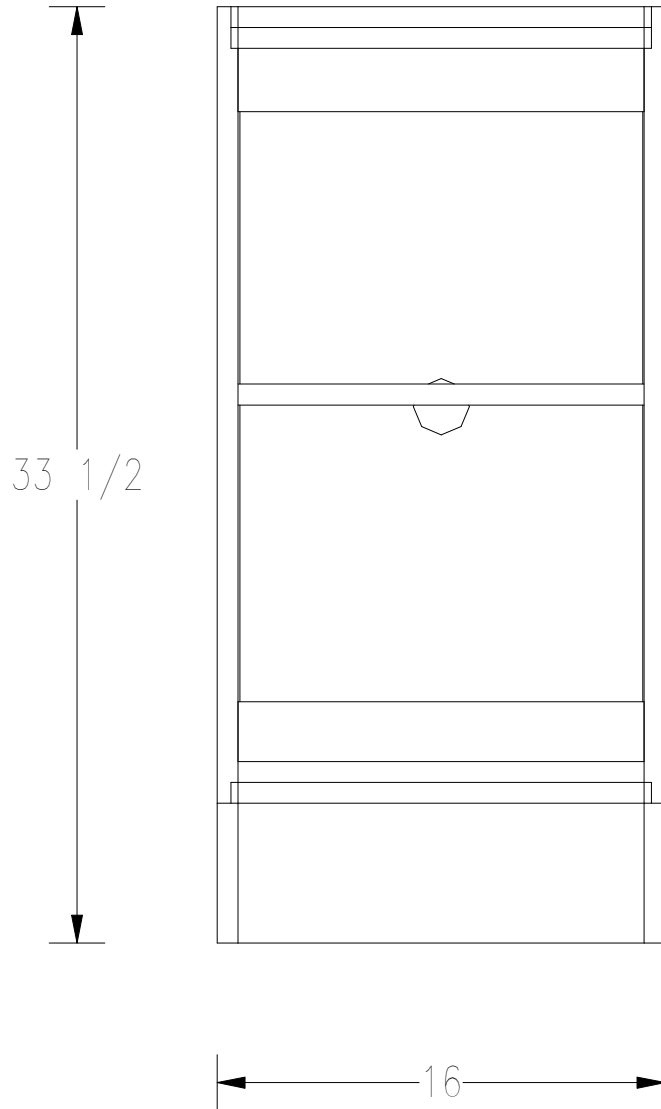


# OGS16 - 1

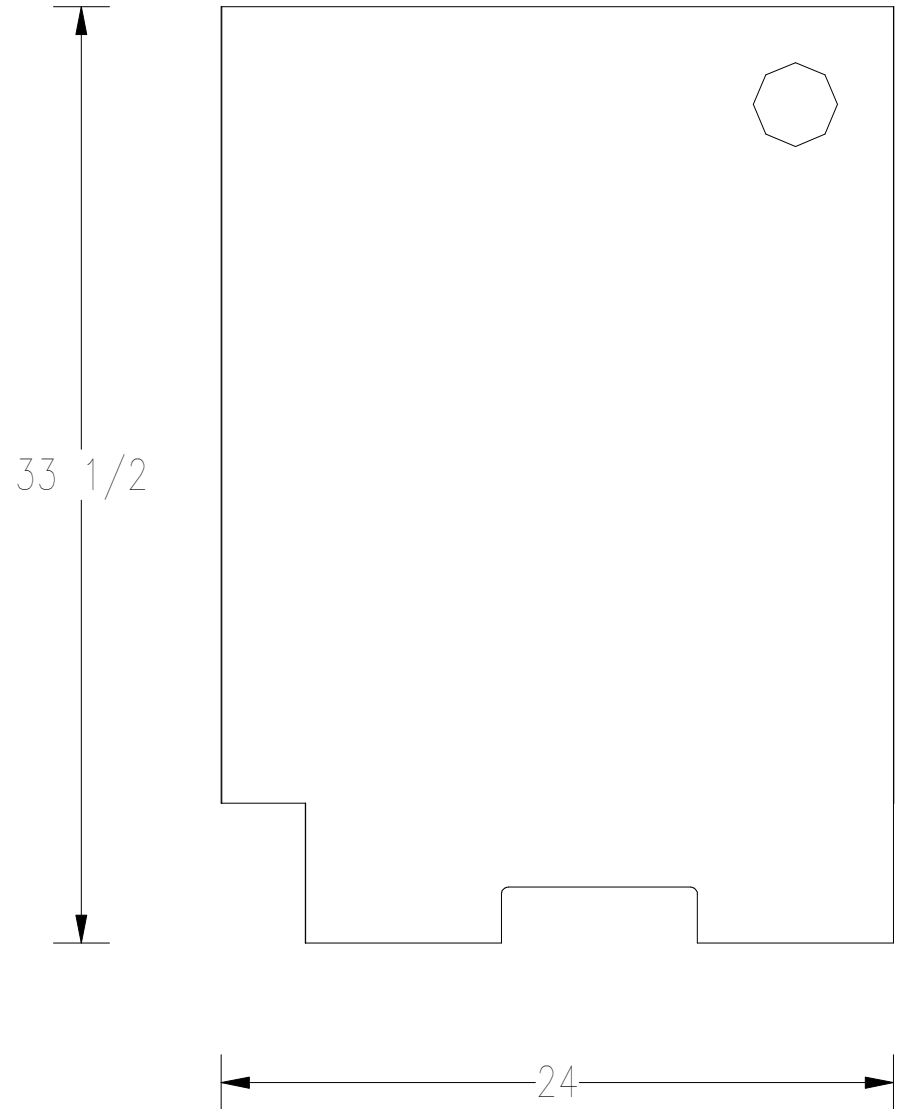
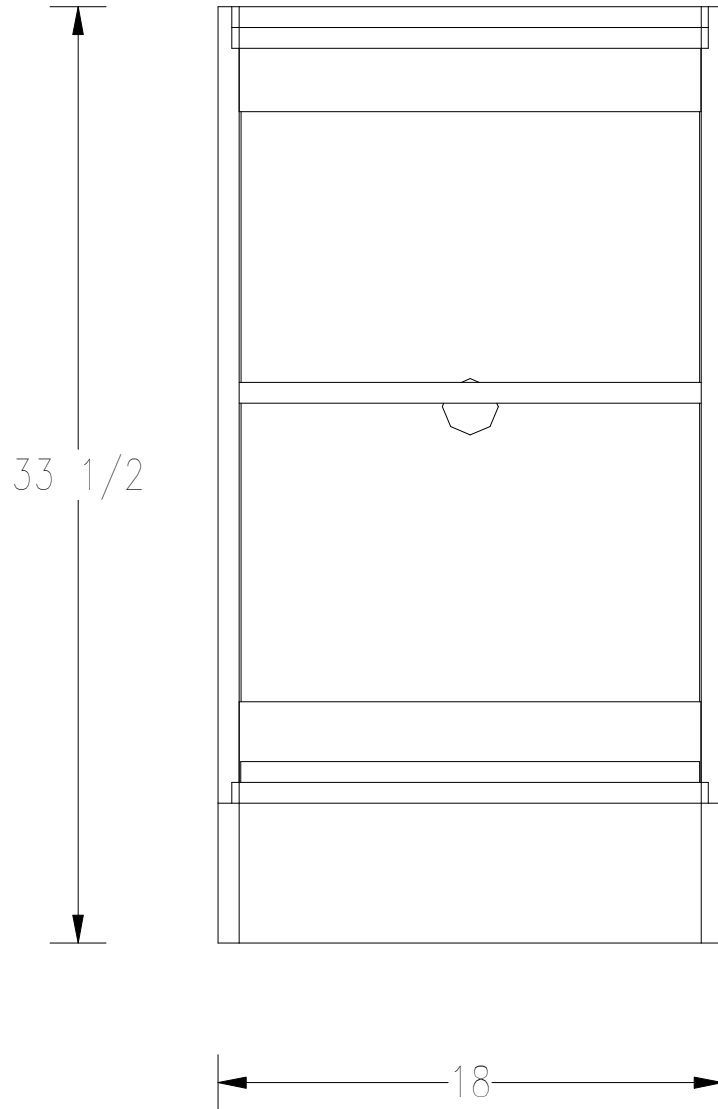


15 Elaine Drive  
 Hermon, ME 04401  
 p. 207-848-7770  
 f. 207-848-7771  
 www.bdsolid.com

B & D MODULAR CABINETS		DIMENSIONS		△	DATE	REFERENCE	SHEET #
PRODUCT NAME:	OPEN STORAGE 16	WIDTH:	16	--	--	--	01
PRODUCT ID:	OGS16 - 1	HEIGHT:	33 1/2				
PRODUCT DISCRIPTION:	OPEN STORAGE 16	DEPTH:	24				
DRAWN BY:	D. PELLETIER	TOE:	HEIGHT = 5 RECESS = 3				

This drawing was prepared exclusively for you with the understanding that b&d - fabrication by design reserves the sole rights to its possession and use. Any reproduction or use of this drawing that is detrimental to our business is prohibited.

# OGS18 - 1

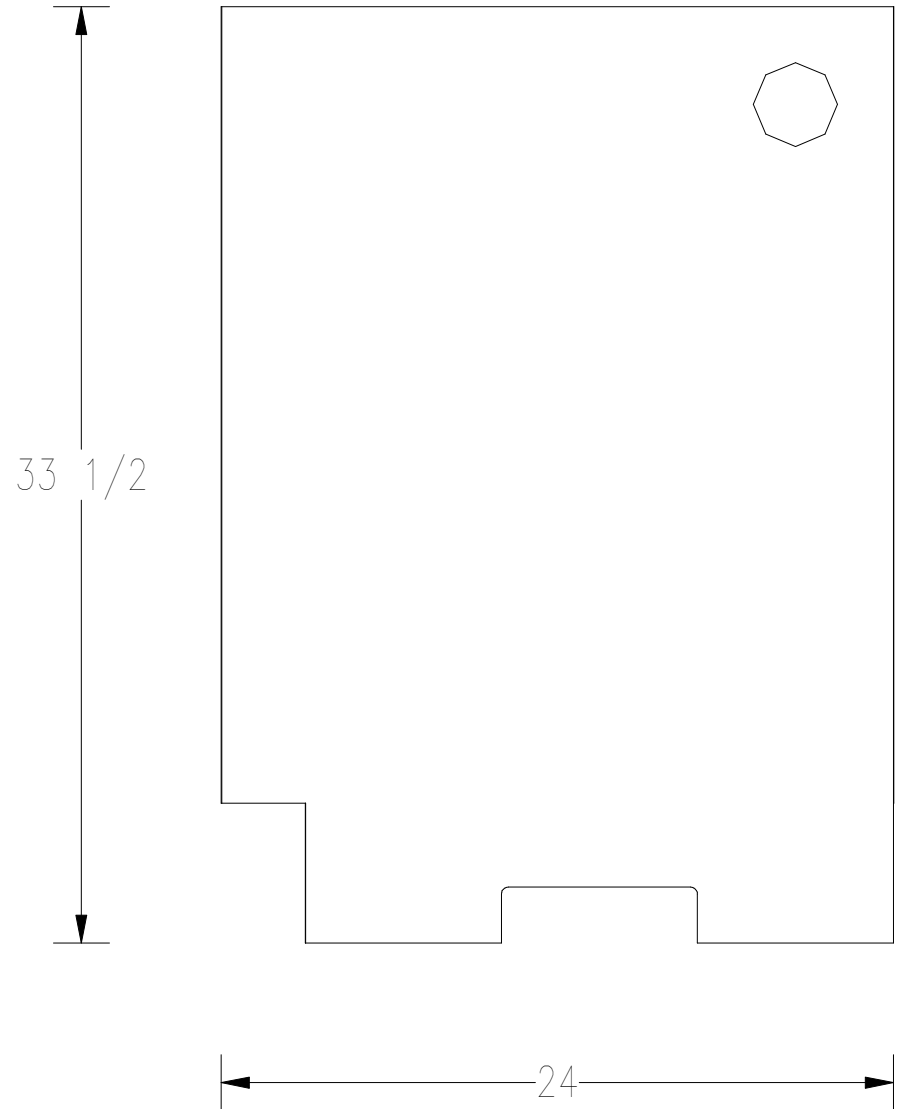
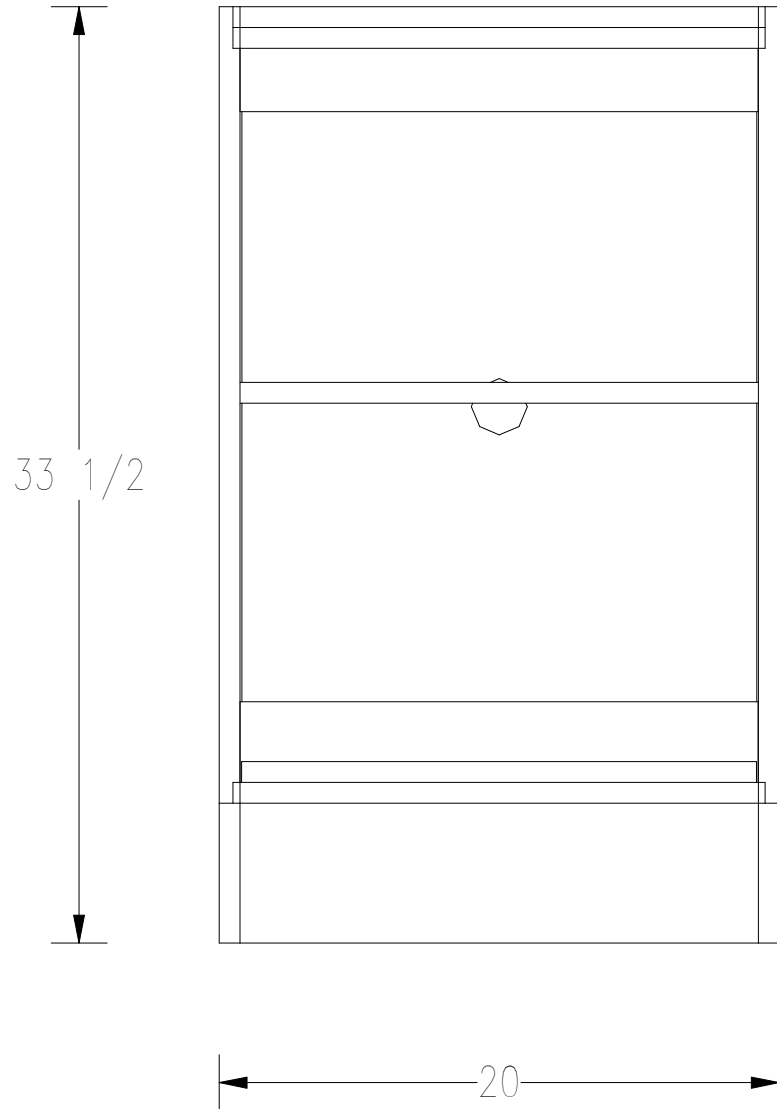


15 Elaine Drive  
 Hermon, ME 04401  
 p. 207-848-7770  
 f. 207-848-7771  
 www.bdsolid.com

B & D MODULAR CABINETS		DIMENSIONS		△	DATE	REFERENCE	SHEET #
PRODUCT NAME:	OPEN STORAGE 18 □	WIDTH:	18	--	--	--	01
PRODUCT ID:	OGS18 - 1	HEIGHT:	33 1/2				
PRODUCT DISCRIPTION:	OPEN STORAGE 18	DEPTH:	24				
DRAWN BY:	D. PELLETIER	TOE:	HEIGHT = 5 RECESS = 3				

This drawing was prepared exclusively for you with the understanding that b&d - fabrication by design reserves the sole rights to its possession and use. Any reproduction or use of this drawing that is detrimental to our business is prohibited.

# OGS20 - 1



15 Elaine Drive  
 Hermon, ME 04401  
 p. 207-848-7770  
 f. 207-848-7771  
 www.bdsolid.com

B & D MODULAR CABINETS	
PRODUCT NAME:	OPEN STORAGE 20
PRODUCT ID:	OGS20 - 1
PRODUCT DISCRIPTION:	OPEN STORAGE 20
DRAWN BY:	D. PELLETIER

DIMENSIONS	
WIDTH:	20
HEIGHT:	33 1/2
DEPTH:	24
TOE:	HEIGHT = 5 RECESS = 3

△	DATE	REFERENCE
--	--	--

SHEET #

# 01